

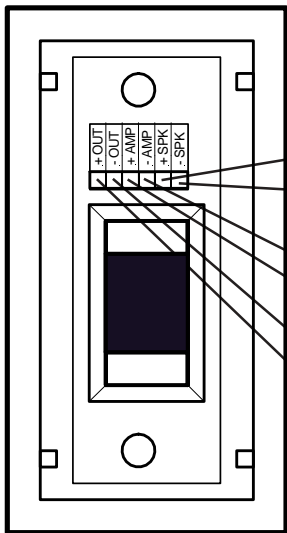


The Mark of the professional...

INSTALLATION INSTRUCTIONS

for

Davis AT Series Volume Control Attenuators 70v/25v Autotransformer Type



“Quick Connect” solderless, detachable screw-mounting connections allow easier and more secure installations

To speaker transformer common line

To speaker transformer 70V or 25V line

Incoming positive 70V or 25V line

Incoming common line

Common out to 70V or 25V line

Positive out to 70V or 25V line

NOTE: The AT Series auto-transformers have precise stop detents. Damage to the control may result if excessive force is used to turn past the Off and Max volume position stops.

J. W. Davis & Company

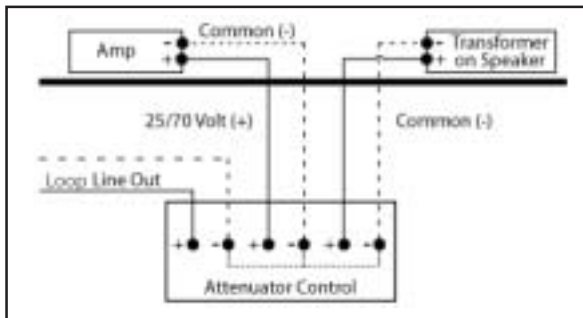
3030 Canton Street • Dallas, Texas 75226 • 800-527-5705



The Mark of the professional...

Installation tip: If installing the “W” Series wall plates, use the enclosed washers as spacers to position the front of the transformer even with the wall surface. This enables the screwless wall plate to be easily snapped flush with the wall surface for a truly professional installation!

Diagram for Solderless, Detachable Quick Connect “Phoenix” Connectors



Note: It is important that negative and positive wires be connected consistently to maintain speaker polarity